

The pre-assembled triangular frame for landscape and portrait photovoltaic installation on flat surfaces



Flat surface with outer wall



Detail: Triangular frame STFN 10° - 15°

VERSIONS

- triangular frames in aluminium alloy W6063/6060 T66 according EN 755-2:2013
- bolts and nuts in stainless steel A2-70 according EN ISO 3506-1/2:2009

ADVANTAGES

- Complete: the triangular frame STFN is pre-assembled and bolts and nuts for connection with profiles Solar are included in the package.
- Flexible: 3 version available and 8 different degrees (STFN 10° - 5°, STFN 25° - 30° - 35° and STFN 2000 35° - 40° - 45°) are possible moving the strut through 2 or 3 positions respectively.
- All-round: all triangular frames STFN allows both landscape and portrait configuration.

APPLICATIONS

Suitable for:

Flat surface System with:

- Profile Solar-fish
- Allowable configurations:
 - 1 module - landscape disposition
 - 1 module - portrait disposition

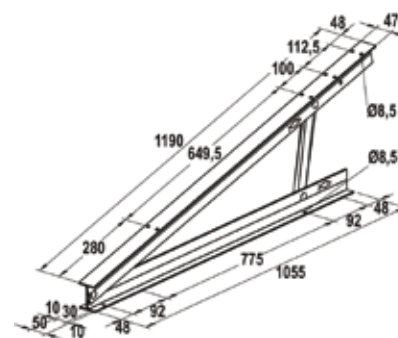
FUNCTIONING

- Define the triangular frames spacing depending on snow and wind loads for installation site, according National Regulations.
- Adjust the triangular frames position depending on load-bearing structure and on layout PV installation.
- Fasten the triangular frame base with the proper anchor depending on building material of substrate.
- Connect the triangular frame with profile Solar using bolts and nuts included in the package.

TECHNICAL DATA



Pre-assembled triangular frame STFN 10° - 15°



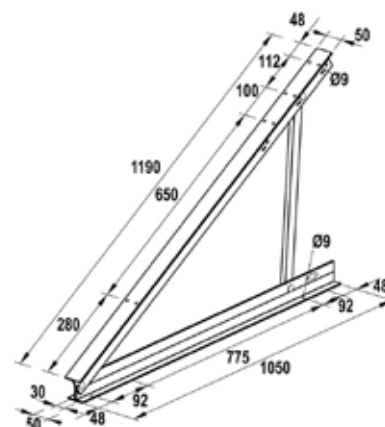
Item	Art. n°	Weight W [kg]	Profile cross section S [mm ²]	Moment of inertia y-axis I _y [cm ⁴]	Section modulus y-axis W _y [cm ³]	Hole diameter Ø [mm]	Width across nut ○ SW	Installation torque T _{inst} [Nm]	Sales Unit [pcs]	GTIN (EAN code)
STFN 10° - 15°	524335 ¹⁾	2,05	378	16,45	4,25	9	13	10	5	8001132718889

¹⁾ Package content: 5 triangular frames STFN 10° - 15°, 20 hammer head screws RHS M 8 x 20 A2, 20 flanged hex nuts MUF M 8 A2.

TECHNICAL DATA



Pre-assembled triangular frame
STFN 25° - 30° - 35°



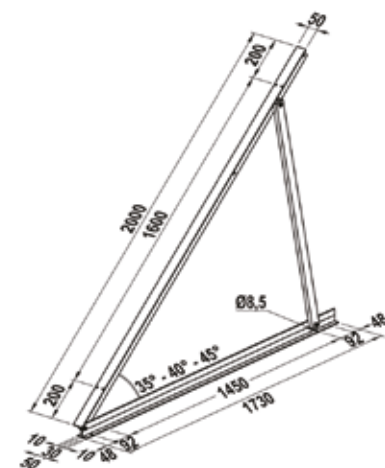
Item	Art.-No.	Weight W [kg]	Profile cross section S [mm ²]	Moment of inertia y-axis I _y [cm ⁴]	Section modulus y-axis W _y [cm ³]	Hole diameter Ø [mm]	Width across nut Ø SW	Installation torque T _{inst} [Nm]	Sales unit [pcs]	GTIN (EAN code)
STFN 25° - 30° - 35°	511874 1)	2,53	378	16,45	4,25	9	13	10	5	8001132021583

1) Package content: 5 triangular frames STFN 25° - 30° - 35°, 20 hammer head screws SKS M 8 x 25 A2, 20 flanged hex nuts MUF M 8 A2.

TECHNICAL DATA



Pre-assembled triangular frame
STFN 2000 35° - 40° - 45°



Item	Art.-No.	Weight W [kg]	Profile cross section S [mm ²]	Moment of inertia y-axis I _y [cm ⁴]	Section modulus y-axis W _y [cm ³]	Hole diameter Ø [mm]	Width across nut Ø SW	Installation torque T _{inst} [Nm]	Sales unit [pz]	GTIN (EAN code)
STFN 2000 35° - 40° - 45°	531873 1)	5,70	378	16,45	4,25	9	13	10	1	8001132044377

1) Package content: 1 triangular frame STFN 2000 35° - 40° - 45°, 4 hammer head screws RHS M 8 x 20 A2, 4 flanged hex nuts MUF M 8 A2. Suitable for big photo-voltaic or thermal modules.

ACCESSORIES



Ballast bracket **STFS BALLAST**

Item	Art.-No.	Weight W [g]	Length l [mm]	Sale Unit [pcs]	GTIN (EAN code)
STFN BALLAST	524504 1)	550	690	5	8001132024362

1) Use 2 brackets per triangular frame. Place the ballasts in the flat area of the brackets.