



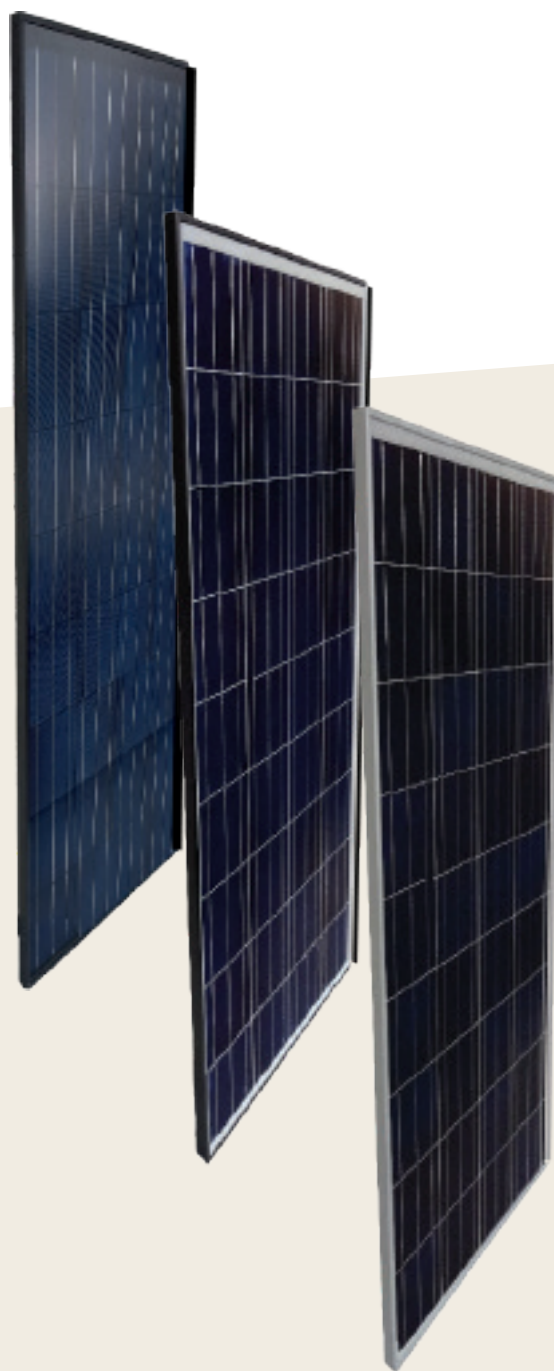
SOLUXTEC

DIE MODUL MANUFAKTUR
100% MADE IN GERMANY

SOLUXTEC DAS MODUL 36

Multi Serie

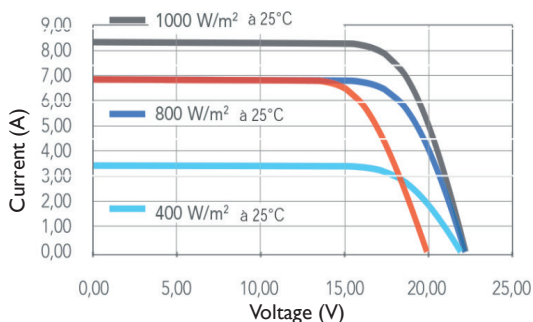
-  20 year warranty
-  Low carbon footprint
-  Extremely lightweight Design
-  100% Quality Assurance
-  Linear Performance Guarantee
-  5400 Pa max load capacity
-  Innovative Junction Box
-  Excellent thermal Properties
-  Positive performance Tolerance



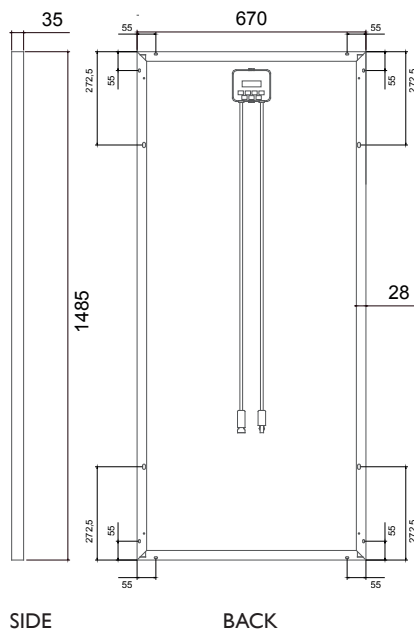
SOLUXTEC DAS MODUL 36

Multi Serie

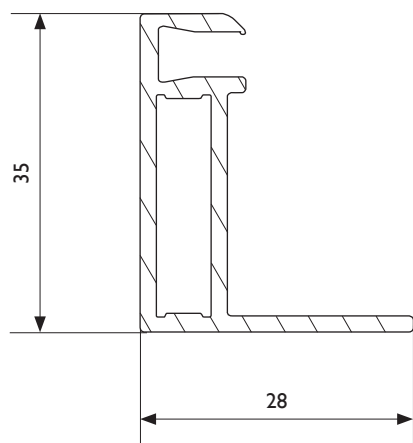
I-V CURVES



MODULE DIMENSIONS



FRAME DIMENSIONS



ELECTRICAL PERFORMANCE UNDER STANDARD TEST CONDITIONS, 1000 W/m², AM=1.5

Maximum Power	P _{max}	Wp	1,60
Open Circuit Voltage	V _{oc}	V	23,20
Short Circuit	I _{sc}	A	8,85
Maximum Power Point Voltage	V _{mpp}	V	18,65
Maximum Power Point Current	I _{mpp}	A	8,60
Efficiency	%		16,00

ELECTRICAL PERFORMANCE UNDER NOCT, 800 W/m², AM=1.5, T=20°C

Maximum Power	P _{max}	Wp	1,17
Open Circuit Voltage	V _{oc}	V	21,30
Short Circuit	I _{sc}	A	7,10
Maximum Power Point Voltage	V _{mpp}	V	17,00
Maximum Power Point Current	I _{mpp}	A	6,90

THERMAL CHARACTERISTICS

STC	25°
NOCT	45°
TC I _{sc}	+0,058%/K
TC v _{oc}	- 0,330%/K
TC P _{mpp}	- 0,410%/K

COMPONENTS

Cells Number	36
Technology	polycrystalline silicon
Cell Dimension	156 x 156 mm
Junction Box	IP 67 ventilated
Connector	JM601
Glass	tempered+patterned
Glass Thickness	3,2 mm

GENERAL CHARACTERISTICS

Module Weight	11,5 kg
Color	black / white
Frame Color	black / silver
Total Thickness	35 mm

INTEGRATION CHARACTERISTICS

Max. System Voltage	1000 Vdc
Protection Class	A
Operating Temperature Range	- 40 ... + 80
Max. Reserve Current	16 A

CERTIFICATIONS

IEC 61215 IEC 61701
EN 61730

PERFORMANCE WARRANTY

Linear
80,20% after 25 years

PRODUCT WARRANTY

20 years

POWER TOLERANCE*

0/+3% of P_{mpp}
PFlash > P_{mpp}

This data Sheet complies with the requirements of EN 50380.

Soluxtec reserves the right to make specification changes without prior notice (2017).

* Flasher AAA, Power tolerance measurement of +/- 3%.



SOLUXTEC

Soluxtec GmbH, Werner von Siemens Str. 25, 54634 Bitburg
Tel.: +49 65 61 69 37 265 Fax: +49 65 61 69 40 521
E-Mail: info@soluxtec.de Web: www.soluxtec.eu

V01_2017

www.soluxtec.eu